

Albeo™ LED Luminaire

LED High Bay Lighting
(ABV3 - Series)



Project name _____
Date _____
Type _____

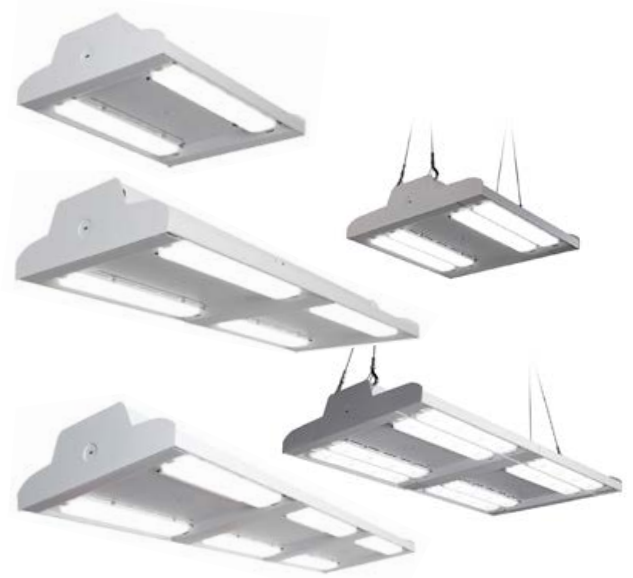
Product Description:

The Albeo™ ABV3 LED luminaire is an exceptional mixture of value and performance. Ideal for high bay and low bay applications in industrial and commercial buildings. Designed to replace 150W-1500W HID and four-to-eight-lamp T5/T8 HIF fixtures with unmatched reliability and quality.

Performance Highlights:

Light Output Range: 6,500 – 60,000 lumens
CRI: 70 & 80 CRI (90CRI Refer to factory for lead-time)
CCT: 3000K, 3500K, 4000K, 5000K
Distributions: 120°, 90°, 55°, 30° diffused & clear lens options
Input Voltage: 120V-277V, 347V, & 480V
Efficiency: Up to 200 LPW
Fixture Rated: L70 @ 100,000 hours min. @ 55°C
Limited Warranty: 5 Years
Temperature Rating: -30°C to +55°C (-22°F to 131° F)
Controls & Sensors: 0-10V standard, Motion & daylight sensor options. Wireless ZigBee Daintree compliant options.

Product Images:

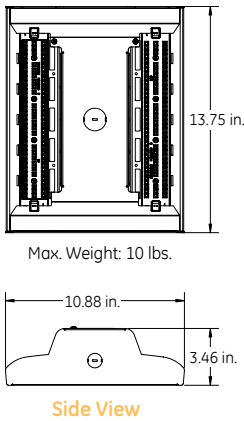


Certifications:

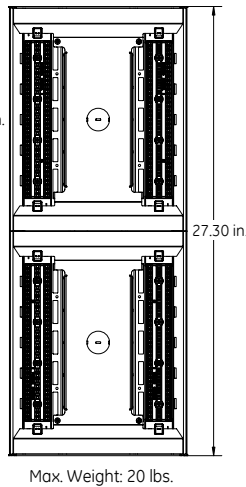


Product Dimensions:

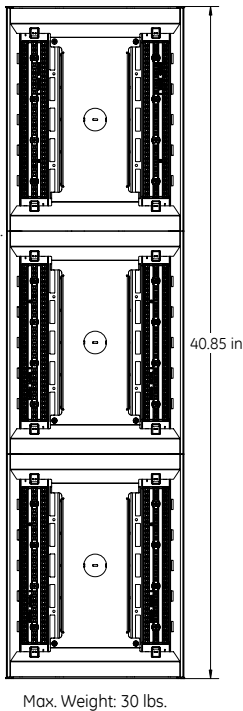
9T, 9H, 12T, 12H, 15T & 18T Output 1S-Module



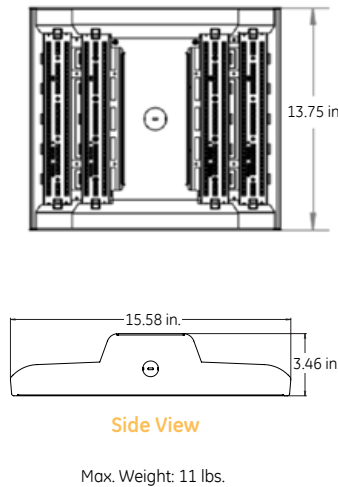
30T, 36T & 36H Output 2S-Module



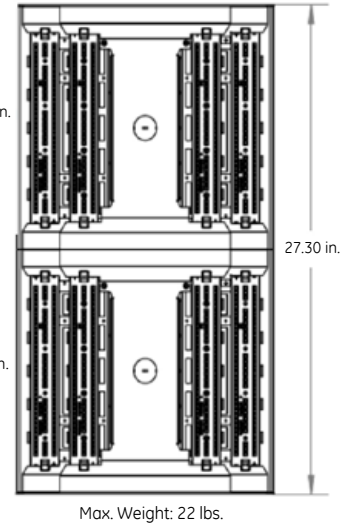
48T & 48H Output 3S-Module



18H, 24T, & 24H Output 1D-Module



60T & 60H Output 2D-Module



current
powered by GE



Ordering Number Logic

Industrial High Bay & Low Bay Lighting

(ABV3-Series)



Project name _____
 Date _____
 Type _____

ABV3

W

| PRODUCT ID | VOLTAGE | LUMEN OUTPUT | PERFORMANCE LEVEL | LED COLOR TEMP | OPTICS/ LENS | SENSOR/ WIRELESS | CONTROL WIRING | MOUNTING | CORD | PLUG | FINISH | OPTIONS |
|----------------------------------|--|--|---|---|--|--|---|---|--|--|-----------------------|---|
| ABV3 = Albeo Highbay ABV 3rd Gen | 0 = 120/277 1 = 120* 2 = 208* 3 = 240* 4 = 277* 5 = 480* D = 347* <small>*Specify single voltage if plug, sensor, or wireless needed.</small> | 09 = 9,000 12 = 12,000 15 = 15,000 18 = 18,000 24 = 24,000 30 = 30,000 36 = 36,000 48 = 48,000 60 = 60,000 | T = Standard Efficiency H = High Performance | 70 Plus CRI 47 = 4000K 57 = 5000K 80 Plus CRI 38 = 3000K C8 = 3500K 48 = 4000K 58 = 5000K 90 Plus CRI 49 = 4000K C9 = 3500K | Open Optic Max. Efficiency 10 = 120° No Lens 9Q = 90° No Lens Clear Lens: Moderate Glare Reduction 1C = 120° Clear 9C = 90° Clear 5C = 55° Clear 3C = 30° Clear WC = Wide Parking Garage Optic Diffused Lens: Maximum Glare Reduction 1D = 120° Diffused 9D = 90° Diffused 5D = 55° Diffused 3D = 30° Diffused | Q = None A = Occ Sensor On/Off 360° LSXR B = Occ Sensor High-Low Dimming 360° LSXR P = Daylight Sensor w/ Occupancy On/Off LSXR Full Featured 2 = Motion Sensor w/Daylight, High-Low Dimming, and IR Remote Adjustable (IR remote sold separately to modify default settings) ZigBee Wireless Daintree™ 4 = ZigBee Wireless Daintree™ Enabled w/Motion Sensor T* = ZigBee Wireless Daintree™ Enabled (no sensor) <small>*T Wireless Control (no sensor) must use Discrete Voltage for all Lumen packages over 24,000 Lumens</small> | V = 0-10V Control Wires Q = None/ No External Control Wiring Note: V option not available with dimming and ZigBee sensors | ST = Standard 22 = 1/2" Threaded rod mount kit Rod and nuts not included SM = Surface Mount Hardware not included 23 = 3/4" Pendant Mount Kit 3/4" conduit not included 41 = Y-Cable/ Hook 5 ft. 42 = Y-Cable/ Hook 10 ft. 43 = Y-Cable/ Hook 15 ft. 44 = Y-Cable/ Hook 20 ft. | K = Knockout A = 6 ft. 18ga cord B = 12 ft. 18ga cord C = 15 ft. 18ga cord D = 20 ft. 18ga cord F = 10ft Reloc G = 15ft Reloc M = 3ft Plug & Go H = 10ft Plug & Go | Q = None A = 15A straight plug B = 20A straight plug C = 15A twist lock plug D = 20A twist lock plug S = Reloc OCS (use cord F or G) F = Plug & Go (use cord M or H) | W = White Powder Coat | Blank = No Special Options 1PK = Single Pack for distributor stocking. Default is Job Pack. EL1 = 120° Battery Backup* EL5 = 50° Battery Backup* <small>*Battery Backup not available for 347V/480V</small> |

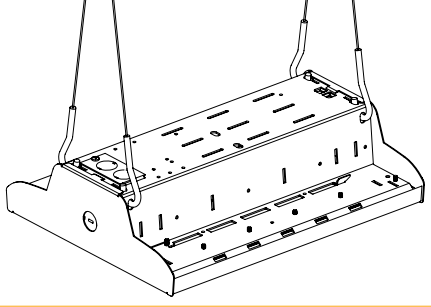
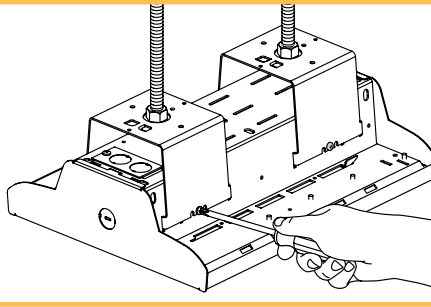
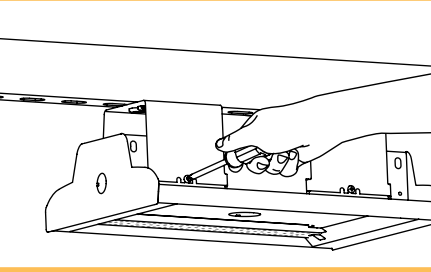
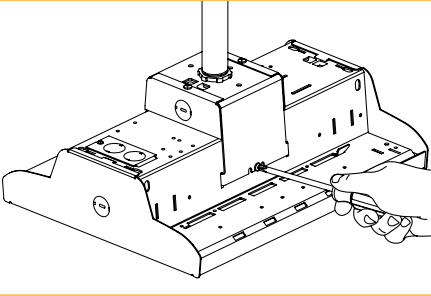
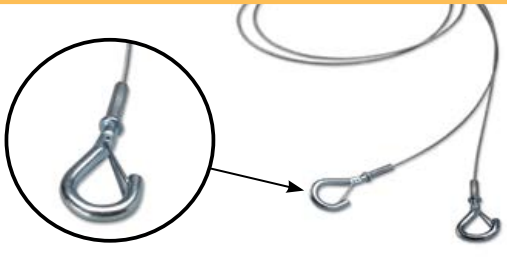
| LUMEN PACKAGE | OUTPUT LEVEL | 70 CRI @ 4000K OR 5000K CCT | | | | MODULE BODY |
|---------------|--------------|-----------------------------|---------------|----------|----------------------|-------------|
| | | TYPICAL DELIVERED LUMENS | TYPICAL POWER | | TYPICAL LPW 120-277V | |
| | | | 120-277V | 347/480V | | |
| 09 | T | 9,000 | 50 | 52 | 180 | 1S |
| 09 | H | 9,000 | 46 | 48 | 196 | 1S |
| 12 | T | 11,900 | 68 | 70 | 175 | 1S |
| 12 | H | 11,900 | 61 | 63 | 195 | 1S |
| 15 | T | 15,200 | 92 | 93 | 165 | 1S |
| 18 | T | 17,600 | 109 | 110 | 161 | 1S |
| 18 | H | 17,600 | 88 | 91 | 200 | 1D |
| 24 | T | 23,400 | 137 | 139 | 171 | 1D |
| 24 | H | 23,400 | 122 | 124 | 192 | 1D |
| 30 | T | 30,400 | 184 | 185 | 165 | 2S |
| 36 | T | 35,500 | 221 | 222 | 160 | 2S |
| 36 | H | 35,500 | 190 | 194 | 187 | 2S |
| 48 | T | 47,400 | 284 | 291 | 167 | 3S |
| 48 | H | 47,400 | 248 | 257 | 191 | 3S |
| 60 | T* | 58,500 | 360 | 367 | 163 | 2D |
| 60 | H | 58,500 | 314 | 323 | 186 | 2D |

*All packages are 55°C rated with the exception of 60T which is 45°C ambient max rated

| CRI | CCT | T OUTPUT | H OUTPUT |
|-----|-------|----------|----------|
| 70 | 5000K | 100% | 100% |
| | 4000K | 100% | 100% |
| 80 | 5000K | 95% | 98% |
| | 4000K | 92% | 92% |
| | 3500K | 90% | 92% |
| 90 | 3000K | 87% | 92% |
| | 4000K | 81% | 79% |

| OPTIC CODE | OPTIC DESCRIPTION | OUTPUT |
|------------|--------------------|--------|
| 1Q | 120° No Lens | 100% |
| 9Q | 90° No Lens | 98% |
| 1C | 120° Clear Lens | 98% |
| 9C | 90° Clear Lens | 96% |
| 5C | 55° Clear Lens | 96% |
| 3C | 30° Clear Lens | 97% |
| 1D | 120° Diffused Lens | 93% |
| 9D | 90° Diffused Lens | 91% |
| 5D | 55° Diffused Lens | 92% |
| 3D | 30° Diffused Lens | 95% |

Mounting & Accessories

| MOUNTING OPTIONS | IMAGE | ORDER LOGIC CODE | AFTER MARKET ORDER LOGIC |
|--|--|---|--|
| <p>Standard Chain/Cable Mount Available on all fixture configurations (chain not included). Y-Cable w/hook can be ordered as an accessory.</p> |  | <p>ST = Standard</p> | <p>Aftermarket: NA</p> |
| <p>Rod Mount (optional) Available on all fixture configurations. Attaches to 1/2" threaded rod (rod and nuts not included).</p> |  | <p>22 = 1/2" Threaded Rod Kit</p> | |
| <p>Surface Mount (optional) Available on all fixture configurations. Attaches to structural member in ceiling. (Hardware not included.)</p> |  | <p>SM = Surface Mount 22 = 1/2" Threaded Rod Kit</p> | <p>SKU: 93076576 Description: 1/2", 3/4" & Surface all-in-one Mounting Kit (Includes SM, 22, & 23 mounting kits as shown)</p> |
| <p>Pendant Mount (optional) Available on all fixture configurations. Attaches to 3/4" threaded conduit (conduit not included).</p> |  | <p>23 = 3/4" Pendant Mount Kit 22 = 1/2" Threaded Rod Kit</p> | |
| <p>Y-Cable w/hook (optional) Use with Standard Mounting Option only. Order separately. Price adder per pair: 5 ft., 10 ft., 15 ft., 20 ft. lengths available.</p> |  | | <p>41 Y-Cable/Hook (5') 93075756 42 Y-Cable/Hook (10') 93075552 43 Y-Cable/Hook (15') 93075553 44 Y-Cable/Hook (20') 93075554 "NA" Y-Cable/Hook (25') 93075555 Max Load: 200 lbs. per pair</p> |

Chain/cable mount is standard and included in price. Price adder for Y-Cable, Rod Mount, and Pendant Mount. Consult Sales for latest information. See "Installation Instructions" for mounting details.

Accessories & Renewal Parts

Replacement Lenses & Optics



| ORDERING SKU | ORDERING CAT# LOGIC | FIXTURE CAT# LOGIC | DESCRIPTION |
|--------------|---------------------|--------------------|------------------------------------|
| 93075866 | ABV3 D Kit | 1D or 9D | Diffused Lens Only (2 lenses) |
| 93075867 | ABV3 C Kit | 1C or 9C | Clear Lens Only (2 lenses) |
| 93075988 | ABV3 9 Kit | 9C or 9D | 90 degree Optic (2 reflectors) |
| 93075989 | ABV3 1 Kit | 1C or 1D | 120 degree Optic (2 reflectors) |
| 93075990 | ABV3 5D Kit | 5D | Diffused 55 degree Lens (2 lenses) |
| 93075991 | ABV3 5C Kit | 5C | Clear 55 degree Lens (2 lenses) |
| 93075992 | ABV3 3D Kit | 3D | Diffused 30 degree Lens (2 lenses) |
| 93075993 | ABV3 3C Kit | 3C | Clear 30 degree Lens (2 lenses) |

Sensors & Sensor Accessories



| ORDERING SKU | ORDERING CAT# LOGIC | FIXTURE CAT# LOGIC | DESCRIPTION |
|--------------|--------------------------------|--------------------|--|
| 93076263 | Wattstopper Configuration Tool | 2Q Sensor Code | Programmer for Sensor Code 2Q Wattstopper FSP211 |

Wire Guards



| ORDERING SKU | ORDERING CAT# LOGIC | LUMEN PACKAGES | DESCRIPTION |
|--------------|---------------------|---|-----------------------------|
| 93077600 | WG ABV3 1S WT | 9T, 9H, 12A, 12T, 12H, 15T, 18A, 18T, 24A | 1S Wire Guard White Painted |
| 93077666 | WG ABV3 1D WT | 18H, 24T, 24H | 1D Wire Guard White Painted |
| 93077602 | WG ABV3 2S WT | 30T, 36T, 36H, 48A | 2S Wire Guard White Painted |
| 93077604 | WG ABV3 3S WT | 48T, 48H | 3S Wire Guard White Painted |
| 93077668 | WG ABV3 2D WT | 60T, 60H | 2D Wire Guard White Painted |

Wire Guards must be ordered in packs of 5 each

Albeo™ LED Luminaire

LED High Bay Lighting
(ABV3 - Series)



Project name _____

Date _____

Type _____

LED & Optical Assembly

CRI: 70 & 80 Standard (90 contact factory for lead-time)

Fixture Rated Life: L70 @ 100,000 hrs @ 55C

Fixtures are certified to depreciate no more than 30% at the maximum ambient temperature conditions.

TM-21 Calculation at 25°C: L70 @ 250,000 hrs minimum

L90 @ 65,000 hrs minimum

Distribution/Lenses:

90, 120 degrees no lens standard (most efficient)

30, 55, 90, 120 degrees w/clear lens optional

30, 55, 90, 120 degrees w/diffused lens optional

Wire Guard Option – for added fixture protection. Ships separately for ease of fixture install. Easily field installable.

Electrical

Input Voltage: 120-277V, 347V or 480V

Input Frequency: 50/60Hz

System Power Factor (PF): >0.9*

Total Harmonic Distortion (THD): <20%*

LED Driver Type: Class 1, 3kV surge protection

EMI: FCC CFR Title 47 Part 15, Class A

* PF and THD may vary with options

Ratings & Evaluations

Operating Temperature: -30°C to +55°C (-22°F to 131° F).

Storage Temperature: -40°C to +70°C

Surge Protection: 3kV driver surge protection

Location: UL 1598 Suitable for Damp Locations

Safety: UL/cUL Listed /c

Environmental: RoHS compliant

Utility: DLC Premium on all 70CRI options & select 80CRI options. DLC Premium on all H Output options.

Meets DLC Standard on all CRI versions

Please refer to:

<http://www.designlights.org/QPL>
for complete information.



Construction & Finish

Housing: Combination steel and aluminum

Lensing: Polycarbonate diffused, acrylic clear

Reflector: White highly reflective polycarbonate

Paint: Powercoat Painted Housing

No glass in housing or lenses

Weight: 10-11 lbs. per module (see dimensional drawings)

Controls

Standard Dimming: 0-10VDC

Minimum Dimming: Dim down to 10%

Wireless Networking & Sensing:

ZigBee Wireless Daintree with Occ Sensor – Sensor 4

ZigBee Wireless Daintree with No Sensor – Sensor T

Enlighted Sensor – Sensor 5

Wattstopper FSP Series Motion + daylight + IR config (IR remote sold separately) – Sensor 2

Wattstopper FSP remote = SKU# 93076263

Sensor Switch LSX LSXR Series - Sensor A, B, P, or S

Mounting

Typical Mounting: Standard Chain/Cable mount ready Threaded rod kit, ¾" pendant mount kit, and surface mount optional.

Cord & Plugs:

Standard = knockout access (no cord, no plug)

6ft, 12ft, 15ft, 20ft Cord options

15A, 20A, Straight or twist lock plug – Plug A,B,C, or D

Reloc OCS Cord and Plug – Cord-Plug FS or GS

PlugNGo Plug - Cord-plug MF or HF

Accessories, Options & Packaging

Optional Emergency Battery: Provides 90-minutes of Emergency lighting. Design lumen output: 1650-1750lm. Fully independent LED system that does not degrade performance or ratings of the fixture. 120-277V Only Ships separately from fixture to avoid shipping damage.

Standalone EMBB: Order as field installed aftermarket or standalone solution for emergency Lighting. 2lbs SKU# 93059499 - ASM2430 50° beam 1750lm SKU# 93059500 - ASM2429 120° beam 1650lm

Packaging: standard pack is job pack / bulk pack consisting of 7-21 fixtures in a half Gaylord box. Fixtures are sleeve wrapped within the bulk box for quick unload at jobsite. Orders of <14 fixtures are typically single pack. Single Pack (i.e. for stocking) – Option 1PK

Design Life & Warranty

- **Reliability Testing:** Fixture components designed to exceed 100,000 hrs of operation at the worst possible rated conditions. Complete system evaluated at extreme conditions and monitored during production.
- **System Warranty:** 5 Year

current
powered by GE

All trademarks are the property of their respective owners. Information provided is subject to change without notice. All values are design or typical values when measured under laboratory conditions. Current, powered by GE is a business of the General Electric Company.
© 2019 GE.

