

## LED LEXINGTON DECORATIVE AREA LIGHTS (XLXM3)



US patent 782456 and US & Int'l. patents pending

**SMARTTEC™ THERMAL CONTROL** - Sensors in both optical unit and driver enclosure reduce drive current when ambient temperatures exceed 50°C. Current is lowered in imperceptible 5% increments every 5 minutes until safe operating temperature is reached.

**EXPECTED LIFE** - Minimum 60,000 hours to 100,000 hours depending upon the ambient temperature of the installation location. See LSI web site for specific guidance.

**LEDS** - Select high-brightness LEDs. 5800°K color temperature (nominal) 70 CRI (nominal).

**DISTRIBUTION/PERFORMANCE** - Types 2, 3, FT, and 5. Exceptional uniformity creates bright environment at lower light levels. Improved backlight cutoff minimizes light trespass.

**HOUSING** - One piece housing/support frame is die-cast aluminum. Pole top access cover and support arms are die-cast aluminum. Housing is sealed with an extruded silicone gasket.

**HOUSING TOP CAP:** Removable spun aluminum cap/driver enclosure is retained by captive stainless steel fasteners and safety cables. Housing and top cap interface is sealed with a one-piece extruded silicone gasket. Tool-less entry option is available.

**SEALED OPTICAL UNIT** - Lens is clear, flat tempered glass, sealed to aluminum optics housing. Pressure stabilizing breather allows super-tight protection while preventing temperature cycling from building up internal pressures and vacuums that can stress optical unit seals and components.

**FASTENERS:** All exposed fasteners are black oxide coated stainless steel. Internal fasteners are stainless steel or zinc electro-plated steel.

**ELECTRICAL** - A terminal block for attachment of incoming primary wiring is supplied. Two-stage surge protection (including separate surge protection built into electronic driver) meets IEEE C62.41.2-2002, Scenario 1, Location Category C. Available with universal voltage power supply 120-277VAC (50/60Hz input), 347VAC and 480VAC. Optional button-type photocells (PCI) are available in 120, 208, 240, 277 or 347 volt (supply voltage must be specified).

**DRIVER** - Available in 350mA and 450mA drive currents (Drive currents are factory programmed). State-of-the-art driver technology designed specifically for LSI LED light sources provides unsurpassed system efficiency. Components are fully encased in potting material for IP68 moisture resistance. Driver complies with IEC and FCC standards.

**OPERATING TEMPERATURE** - -40°C to +50°C (-40°F to +122°F).

**FINISH:** Fixtures are finished with LSI's DuraGrip® polyester powder coat finishing process. The DuraGrip finish withstands extreme weather changes without cracking or peeling, and is guaranteed for five full years. Standard colors include bronze, black, platinum plus, graphite, satin verde green, metallic silver and white.

**WARRANTY** - LSI LED fixtures carry a limited 5-year warranty.

**PHOTOMETRICS** - Application layouts are available upon request. Contact LSI Applications Group at [lighting.apps@lsi-industries.com](mailto:lighting.apps@lsi-industries.com)

**LISTING** - Listed to U.S. and Canadian safety standards. Suitable for wet locations.

LIGHT OUTPUT - XLXM3						
Post Top	# of LEDs	Lumens (Nominal)				Watts
		Type 2	Type 3	Type FT	Type 5	
350 mA	63	5015	4180	5125	4120	75
450 mA	63	6125	5250	6345	5025	98

Also available in traditional light sources

This product, or selected versions of this product, meet the standards listed below. Please consult factory for your specific requirements.

**ARRA**  
Funding Compliant



**IP65**



# LED LEXINGTON DECORATIVE AREA LIGHTS (XLXM3)



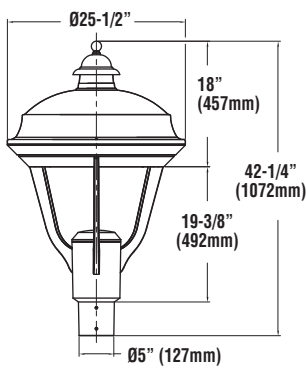
## LUMINAIRE ORDERING INFORMATION

TYPICAL ORDER EXAMPLE: **XLXM3 PT 5 LED 63 450 CW UE MSV PCI120**

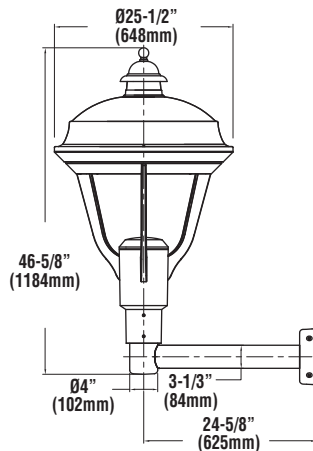
Prefix	Mounting Style	Distribution	Light Source	# of LEDs	Drive Current	Color Temperature	Input Voltage	Finish	Options
XLXM3	PT - Post Top	2 - Type II 3 - Type III FT - Forward Throw 5 - Type V	LED	63	350 - 350mA 450 - 450mA	CW- Cool White (5800°K nom.)	UE - Universal Electronic (120-277V 50/60Hz)  347-480	BRZ - Bronze BLK - Black PLP - Platinum Plus WHT - White SVG - Satin Verde Green GPT - Graphite MSV - Metallic Silver	<b>Button Type Photocells</b> PCI 120 - 120v PCHV208-277 - 208-277v PCI 347 - 347v TE - Tool-less Entry <hr/> <b>Accessories</b> WM - Wall Mount (PT only) BK MPT B04 - Medium Bolt on Bracket (for PT 180) For 4" Dia. Round Poles! BK MPT B05 - Medium Bolt on Bracket (for PT 180) For 5" Dia. Round Poles!

**FOOTNOTES:**

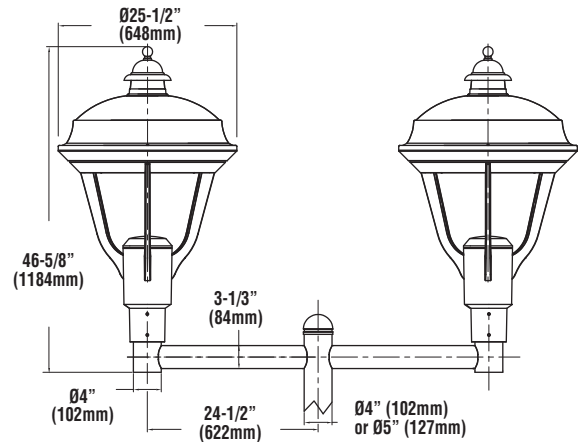
1- For correct mounting, order poles with 3" reduced drilling pattern. For mounting configurations other than D180, consult factory.  
Order one bracket per fixture.



Post Top Single  
Slipfits 4" Dia. Tenon (4N) or Pole



Post Top with WM Accessory



Post Top with BK MPT B0 (x2)  
Mounts to 4" or 5" Dia. D180 Bolt-on Pole  
(select 3" reduced drilling pattern)

MOUNTING STYLE		
■ PT Single	PT	1.4
■ ■ ■ PT D180°	PT	2.7

Catalog Number	Est. Weight (kg/lbs.)
XLXM3 (PT)	29/64